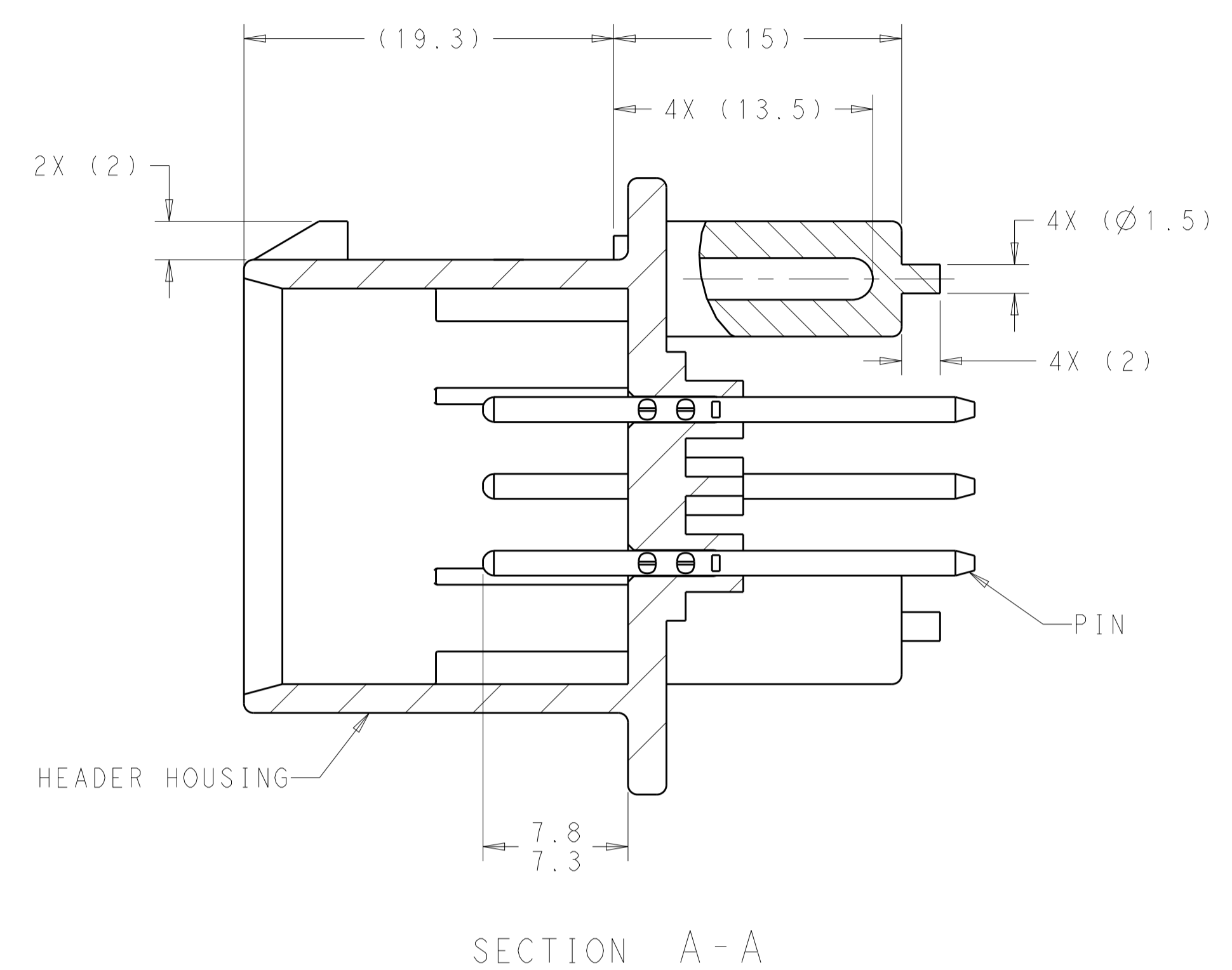
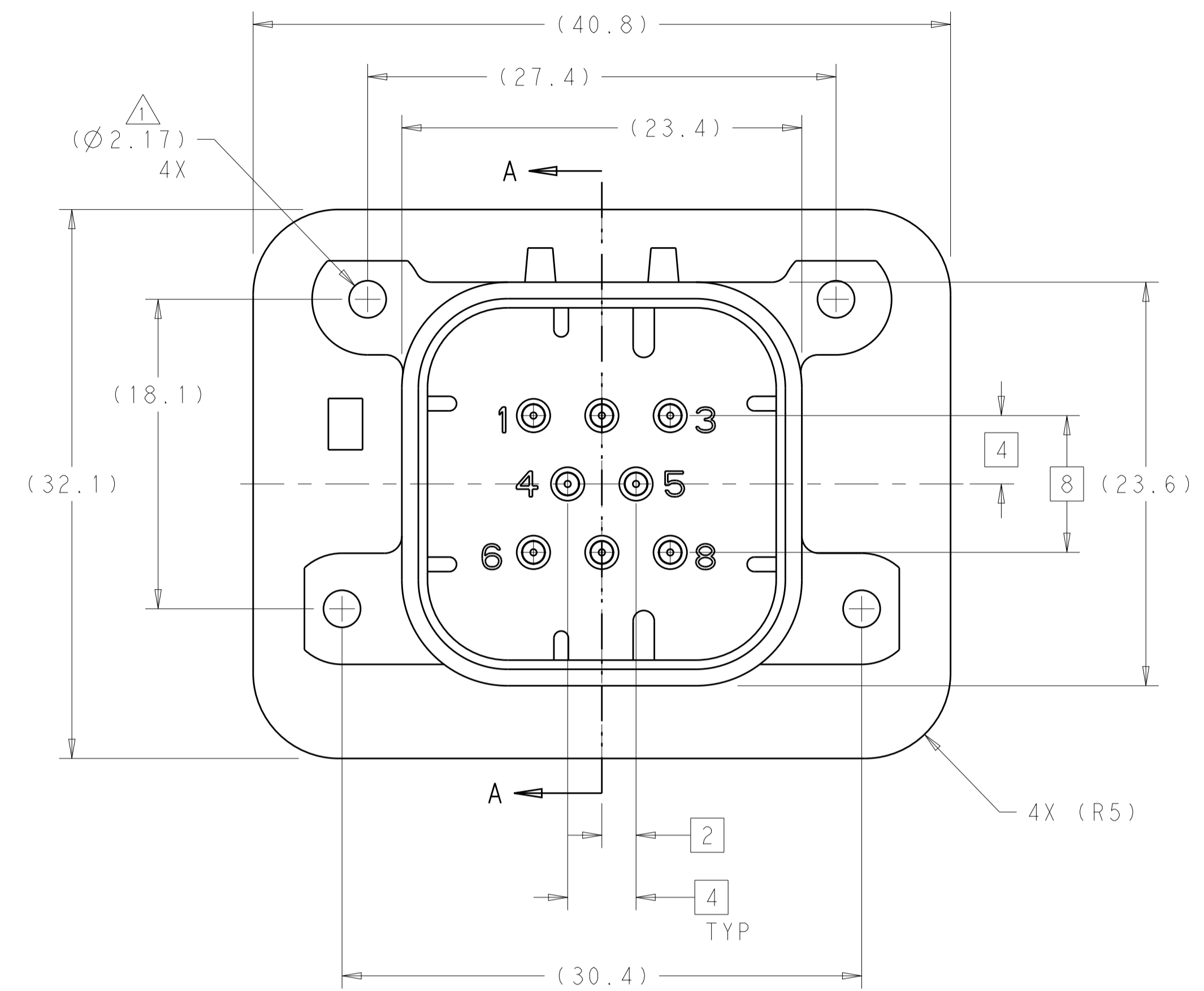
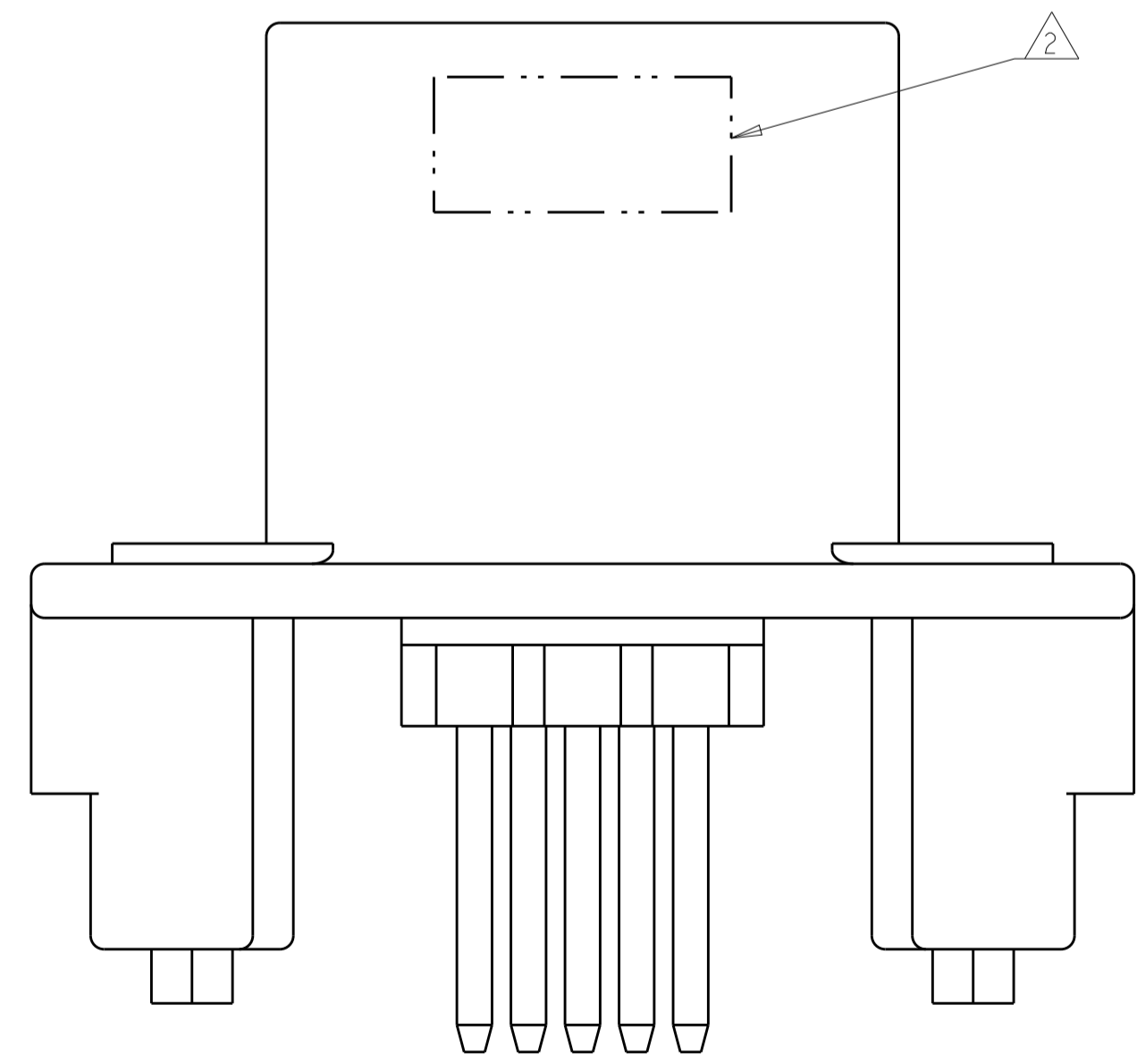


REVISIONS				
P.	LTN	DESCRIPTION	DATE	APVD
B6		REVISED PER ECO-15-003872	25MAR2015	DD DS
B7		REVISED PER ECO-16-003526	09MAR2016	JM DS



- 1 ACCEPTS #3 SELF TAPPING THREAD FORMING SCREWS OR METRIC EQUIVALENT. DRIVE TO 0.6-0.8 N-m.
- 2 DATE CODE IN THIS LOCATION USING 5 DIGIT CODE FIRST 2 DIGITS = YEAR, SECOND 2 DIGITS = WEEK LAST DIGIT = DAY.
- 3 MATERIALS: HEADER HOUSING - GLASS FILLED PBT PINS - TIN OR GOLD PLATED BRASS
- 4 HOUSING COLORS ARE MECHANICALLY KEYS TO MATE ONLY WITH IDENTICALLY COLORED PLUG ASSEMBLIES.
- 5. HEADER MATES TO PLUG ASSEMBLY 776286 WHICH USES REELED TERMINAL 770520 OR LOOSE PIECE TERMINAL 770854.

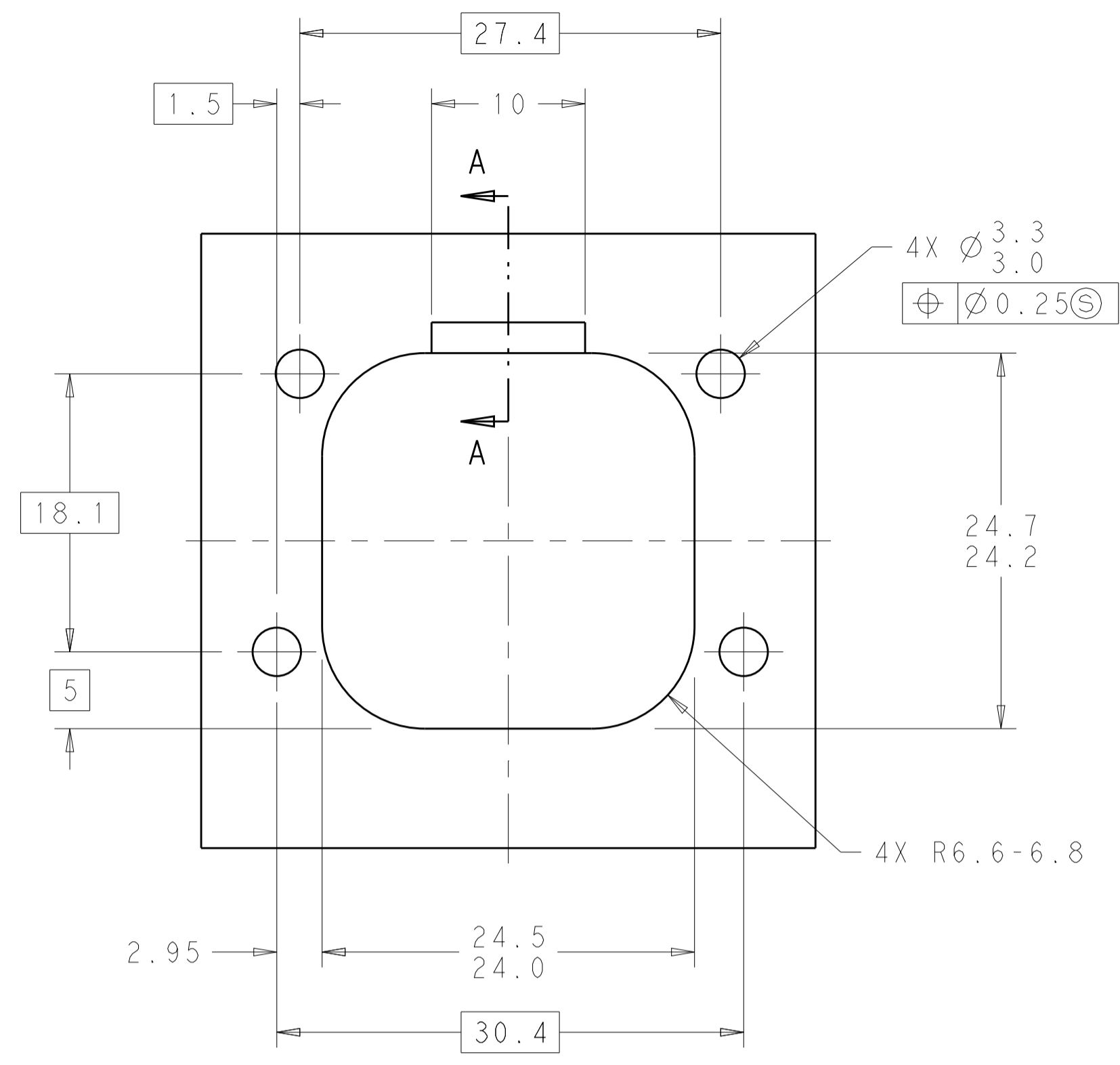


776275-1 & 1-776275-1 SHOWN

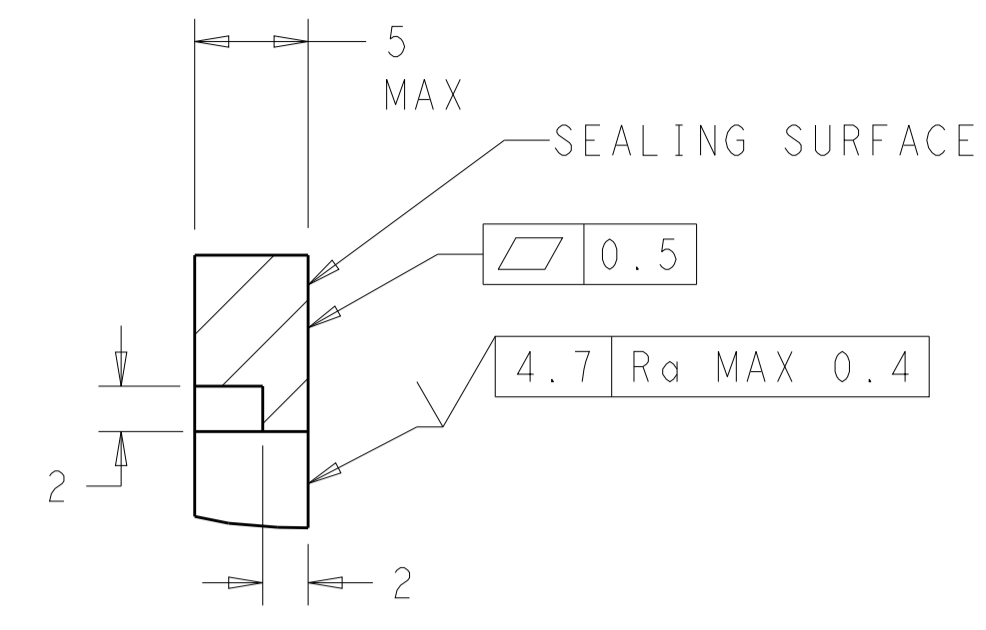
NATURAL	DURAGOLD	1-776275-2
BLACK	DURAGOLD	1-776275-1
NATURAL	TIN	776275-2
BLACK	TIN	776275-1
HEADER COLOR	PLATING	PART NUMBER

THIS DRAWING IS A CONTROLLED DOCUMENT.		OWN D. STRAUSSER 29 JAN 2010	
DIMENSIONS: mm		CHK D. STRAUSSER 22 MAR 2010	
TOLERANCES UNLESS OTHERWISE SPECIFIED:		APVD D. STRAUSSER 27 APR 2010	ASSEMBLY, HEADER, 8 POSITION, VERTICAL, AMPSEAL
0 PLC ±0.2		PRODUCT SPEC 108-1329	
2 PLC ±0.13		APPLICATION SPEC 114-16016	SIZE CAGE CODE DRAWING NO. RESTRICTED TO
3 PLC ±0.13		WEIGHT	A100779C=776275
4 PLC ±0.13		CUSTOMER DRAWING	SCALE 4:1 SHEET 1 OF 2 REV B7
ANGLES ±1°			
FINISH			

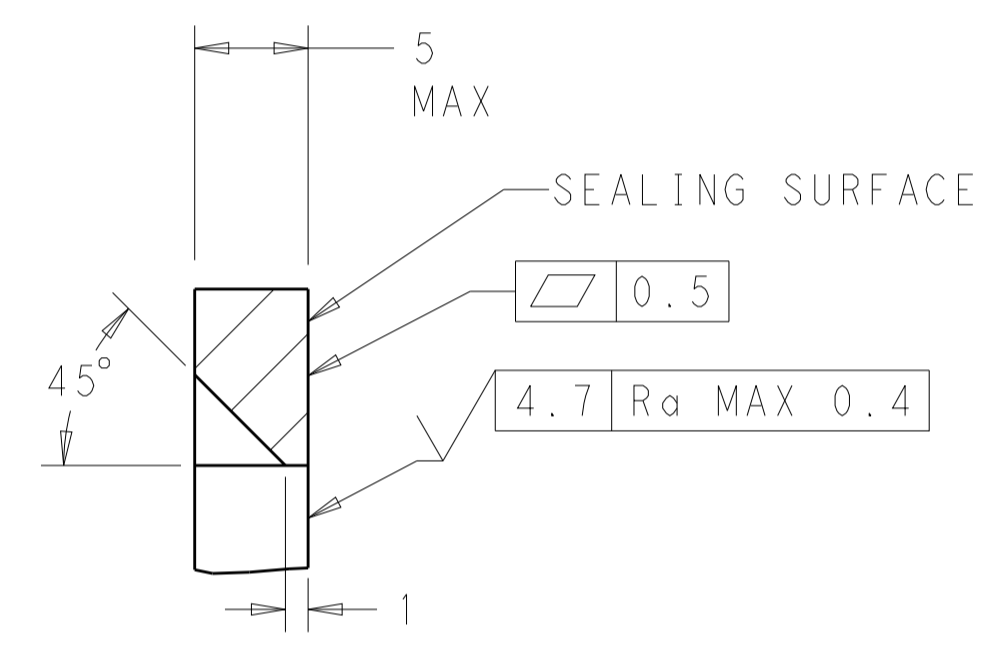
REVISIONS				
P.	LTN.	DESCRIPTION	DATE	APVD.
-	-	SEE SHEET 1	-	-



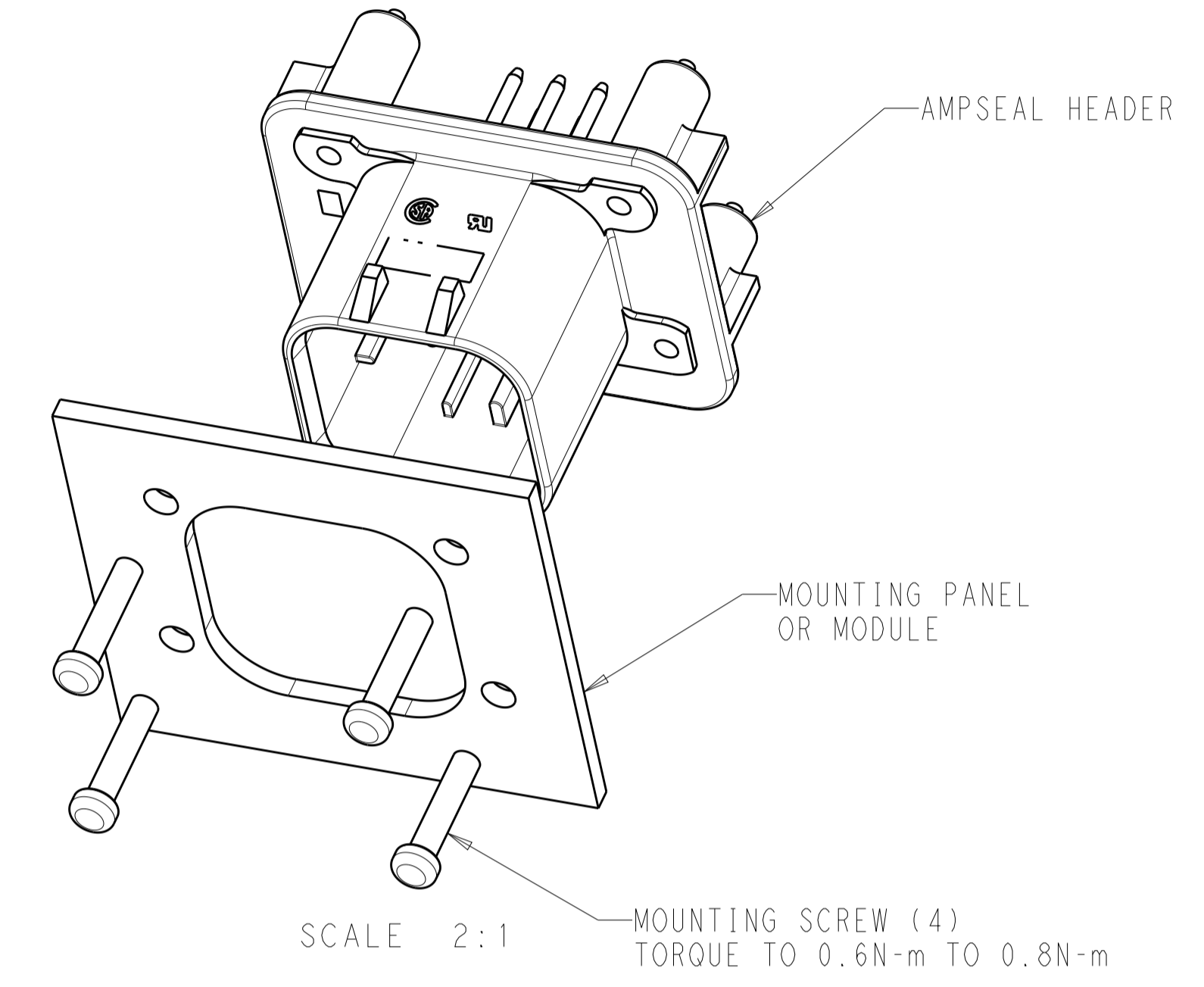
RECOMMENDED MOUNTING HOLE LAYOUT FOR 5.0 MAX THICK PANEL



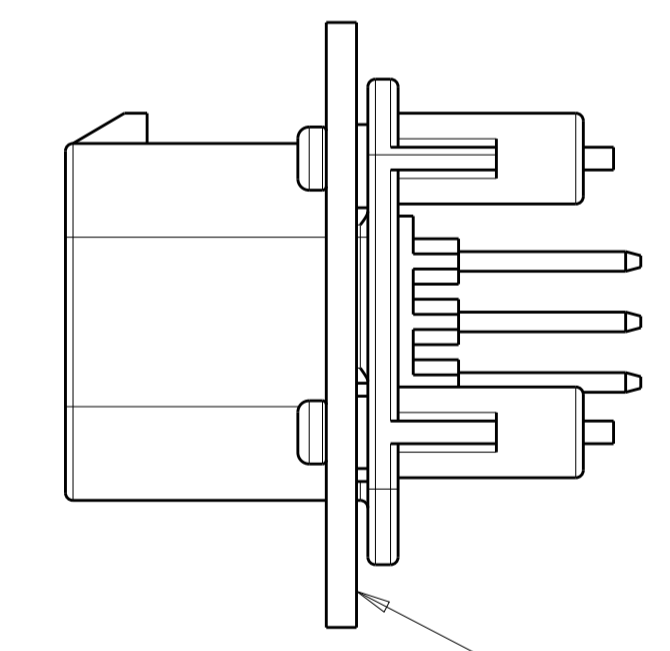
SECTION A-A
 OPTIONAL CONSTRUCTION IF PANEL THICKNESS IS GREATER THAN 2.0



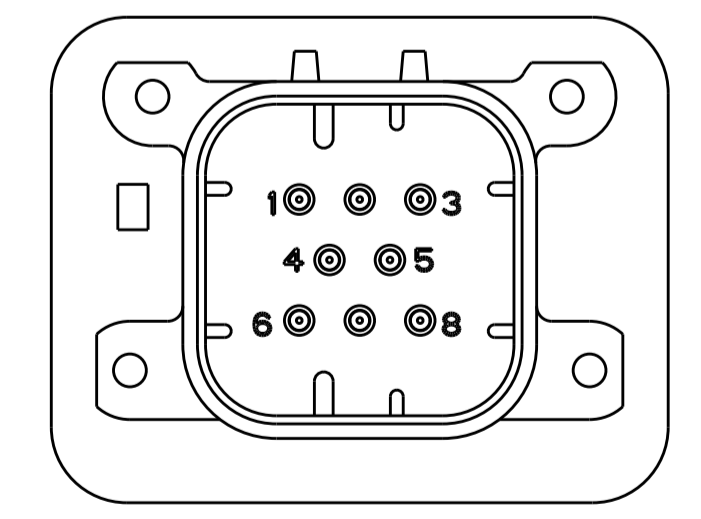
SECTION A-A
 OPTIONAL CONSTRUCTION IF PANEL THICKNESS IS GREATER THAN 2.0



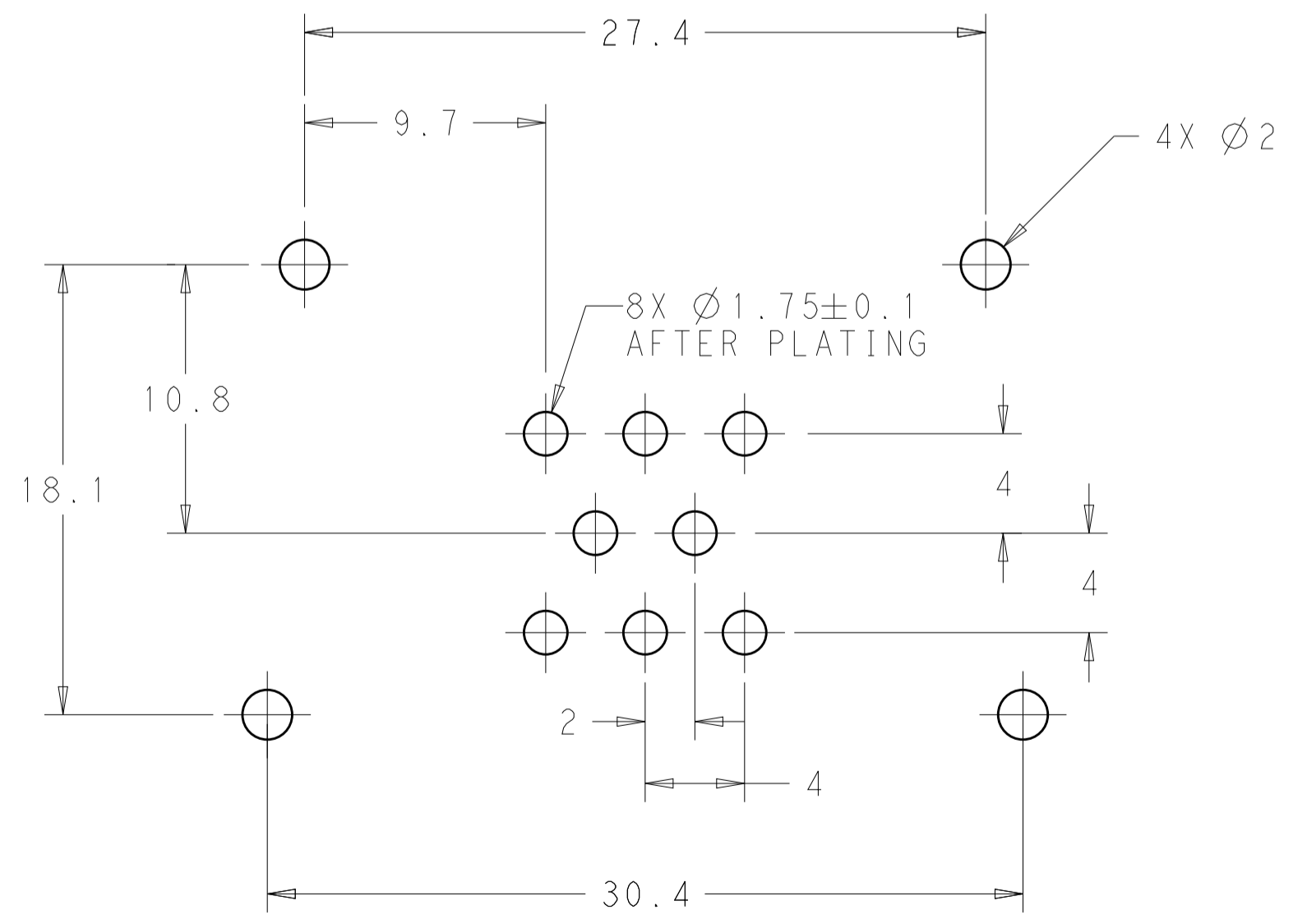
SCALE 2:1
 MOUNTING SCREW (4)
 TORQUE TO 0.6N-m TO 0.8N-m



SCALE 2:1
 ENSURE THE HEADER IS FLUSH TO THE PANEL FACE ALL AROUND BEFORE TIGHTENING TO FINAL TORQUE



776275-2 & 1-776275-2
 KEY LOCATION
 SCALE 2:1



RECOMMENDED P.C. BOARD LAYOUT FOR 1.57 THICK P.C. BOARD

THIS DRAWING IS A CONTROLLED DOCUMENT.		DWN: D. STRAUSSER 29 JAN 2010 CHK: D. STRAUSSER 22 MAR 2010 APVD: D. STRAUSSER 27 APR 2010	TE Connectivity	
DIMENSIONS: mm 		TOLERANCES UNLESS OTHERWISE SPECIFIED: 0 PLC ±0.2 1 PLC ±0.13 2 PLC ±0.13 3 PLC ±0.13 4 PLC ±0.13 ANGLES ±1° FINISH	NAME: ASSEMBLY, HEADER, 8 POSITION, VERTICAL, AMPSEAL PRODUCT SPEC: 108-1329 APPLICATION SPEC: 114-16016 WEIGHT: -	RESTRICTED TO: - SCALE: 4:1 SHEET: 2 OF 2 REV: B7
MATERIAL:		SIZE: A100779 CAGE CODE: C=776275 CUSTOMER DRAWING		